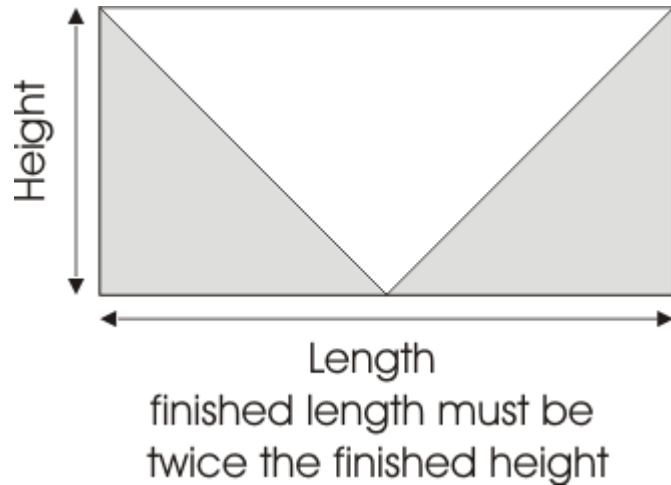


Flying Geese

Uneven squares method

This method yields 4 flying geese units per 2 square set.

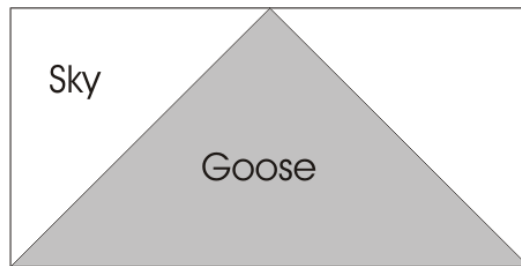
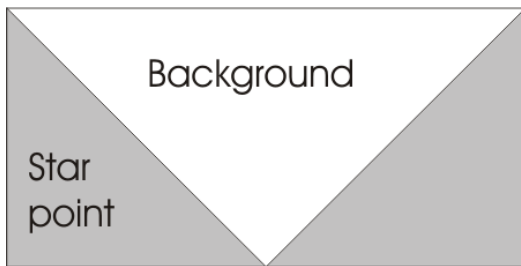


DEFINITION: Flying geese units are rectangular units that (**when finished**) are twice as wide as they are high.

FABRIC REQUIREMENTS:

Star points/sky (the two smaller triangles on each side) : Cut squares that are the desired finished length plus 3 inches.

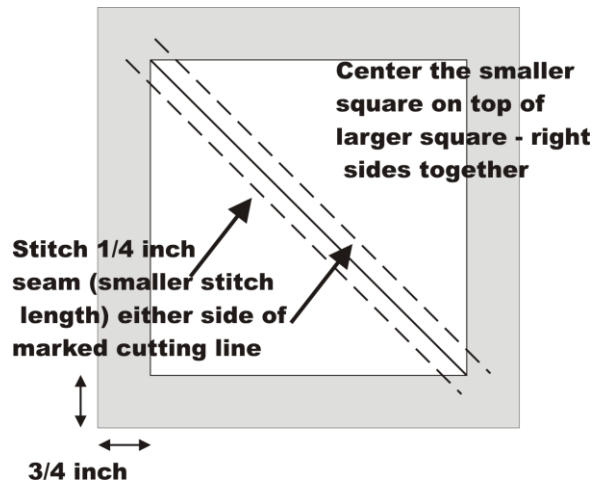
Background/goose: (the center larger triangle): Cut squares that are the desired finished length plus 1 1/2 inches.



Bib n' Tucker Quilting, Victoria, BC V9A 2Y1 250-386-6512

Flying Geese cont'd

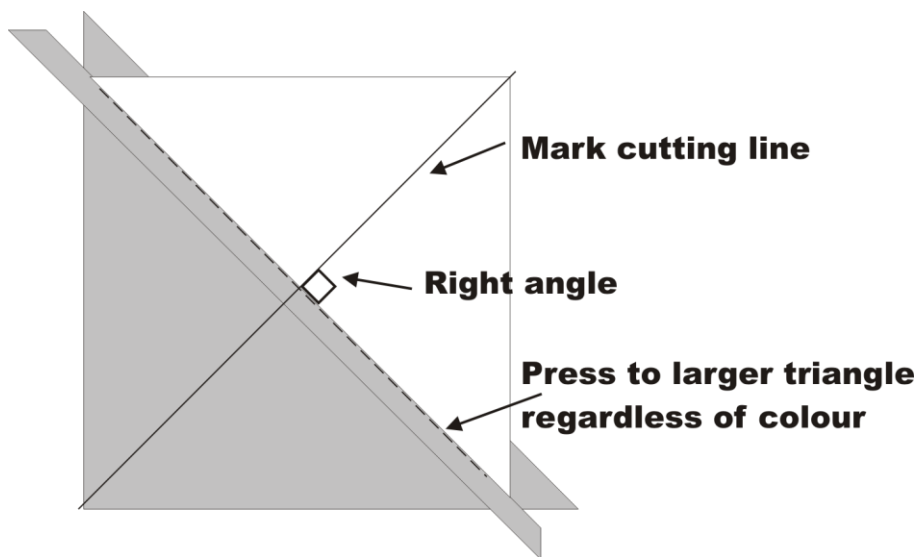
Step 1: Mark cutting line on **wrong** side of smaller square, diagonally corner to corner.



Step 2: Using a smaller stitch length than normal, stitch a scant 1/4 inch on either side of the marked cutting line.

Step 3: Cut apart on cutting line and press seam towards the larger triangle. Make sure that the seam is pressed flat – this affects the ultimate accuracy of your flying geese units.

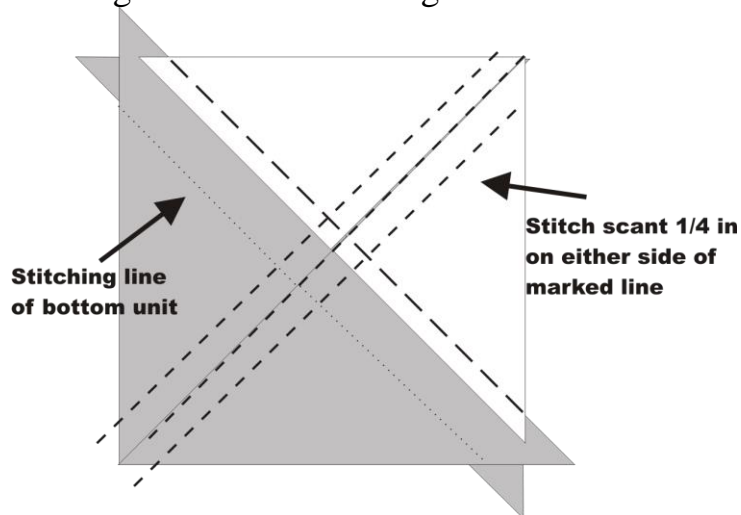
On the **wrong** side of one unit mark a cutting line as shown. It is **VERY IMPORTANT** that it is at right angles to the stitching line. It may not begin and end exactly in a corner but should be as close as possible.



Flying Geese cont'd

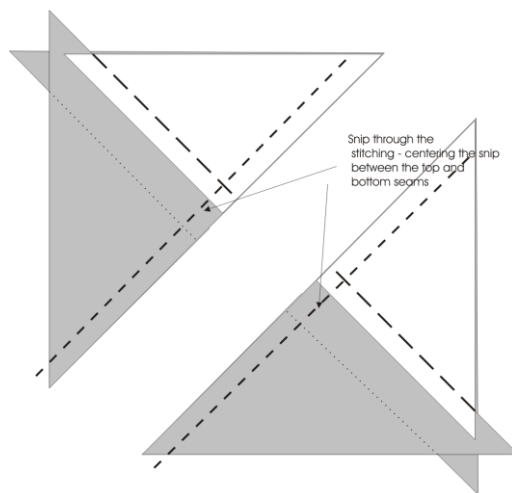
Step 4: On the **right** side of the second unit mark as above.

Step 5: Layer the units right sides together so that the larger triangle is on top of the smaller one. Align the marked cutting lines



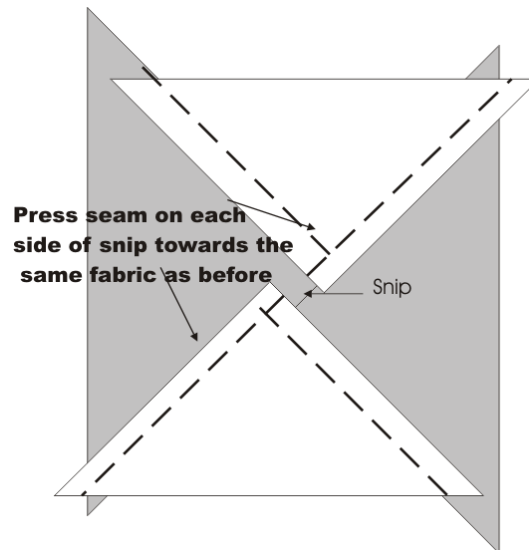
Step 6: Using a smaller stitch length than normal, stitch a scant 1/4 inch on either side of the marked cutting line.

Step 7: Cut apart on cutting line. On each unit, snip through the stitching line as shown.

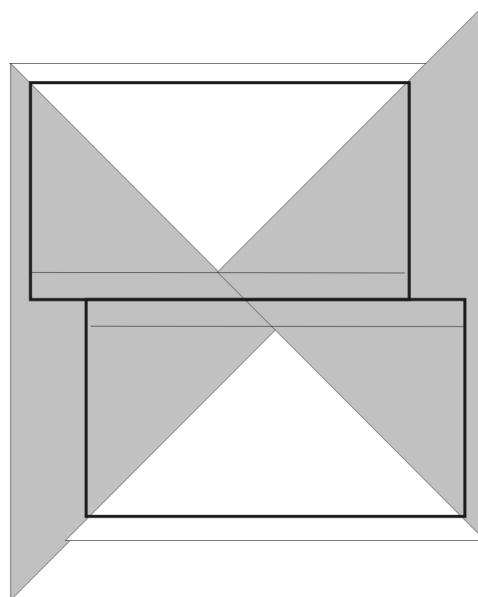


Flying Geese cont'd

Step 8: Open each unit and press the seams towards the same fabric as in step 3.



Step 9: Align the Flying Geese ruler carefully and cut out the flying geese units



Bib n' Tucker Quilting, Victoria, BC V9A 2Y1 250-386-6512